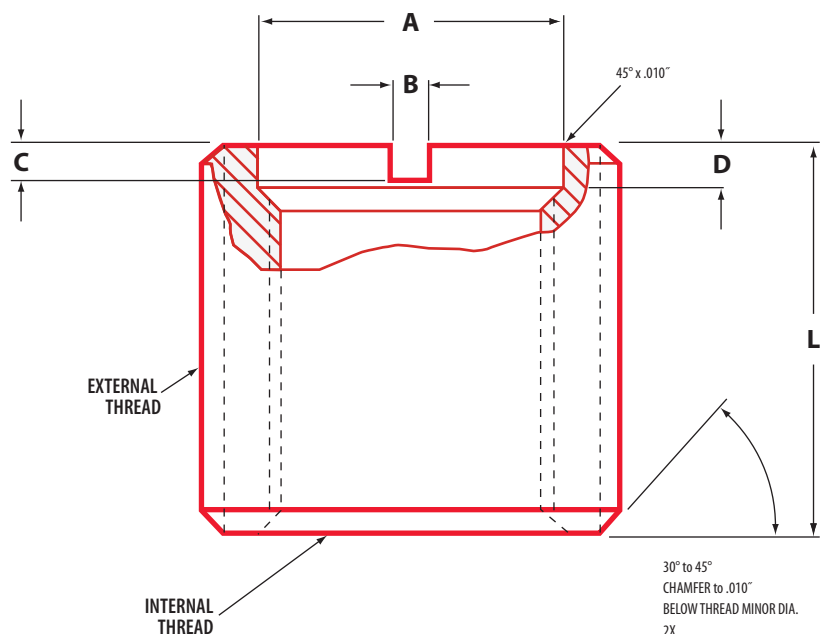


HEAVY WALL - CARBON STEEL THREAD INSERTS FOR METAL

Part Number	Internal Thread 2B	External Thread 2A	L (in.)	A (in.)	B (in.)	C (in.)	D (in.)
329-004	4-40	10-32	.250	.122	.064	.602	.065
329-006	6-32	1/4-20	.280	.148	.064	.602	.070
329-008	8-32	5/16-18	.290	.177	.064	.602	.075
329-3	10-24	3/8-16	.406	.201	.064	.602	.080
329-332	10-32	3/8-16	.406	.201	.064	.602	.080
329-4	1/4-20	7/16-14	.437	.261	.072	.602	.085
329-428	1/4-28	7/16-14	.437	.261	.072	.602	.085
329-5	5/16-18	1/2-13	.484	.323	.081	.602	.090
329-524	5/16-24	1/2-13	.484	.323	.081	.602	.090
329-6	3/8-16	9/16-12	.515	.386	.091	.602	.095
329-624	3/8-24	9/16-12	.515	.386	.091	.602	.095
329-7	7/16-14	5/8-11	.656	.447	.130	.602	.115
329-720	7/16-20	5/8-11	.656	.447	.130	.602	.115
329-8	1/2-13	3/4-10	.656	.510	.130	.602	.115
329-801	1/2-13	3/4-10	1.000	.510	.130	.602	.115
329-820	1/2-20	3/4-10	.656	.510	.130	.602	.115
329-9	9/16-12	3/4-10	.656	.578	.130	.602	.115
329-918	9/16-18	3/4-10	.656	.578	.130	.602	.115
329-10	5/8-11	7/8-9	.687	.640	.130	.602	.130
329-1018	5/8-11	7/8-9	1.125	.640	.130	.602	.130
329-10F	5/8-18	7/8-9	.687	.640	.130	.602	.130
329-12	3/4-10	1-8	.781	.765	.130	.602	.130
329-1216	3/4-16	1-8	.781	.765	.130	.602	.130
329-14	7/8-9	1-1/4-7	1.125	.890	.130	.602	.130
329-1414	7/8-14	1-1/4-7	1.125	.890	.130	.602	.130
329-16	1-8	1-3/8-12	1.250	1.020	.130	.602	.140
329-1614	1-14	1-3/8-12	1.250	1.020	.130	.602	.140



HEAVY WALL - CARBON STEEL THREAD INSERTS FOR METAL - METRIC

Part Number	Internal Thread 6H	External Thread 6G	L	A	B	C	D
			(in.)	(in.)	(in.)	(in.)	(in.)
450-3	M3-0.5	M6-1.0	.256	.128	.045	.062	.075
450-4	M4-0.7	M8-1.25	.295	.170	.065	.065	.075
450-5	M5-0.8	M8-1.25	.295	.210	.065	.065	.075
450-6	M6-1.0	M10-1.5	.413	.250	.072	.072	.080
450-8	M8-1.25	M12-1.75	.492	.328	.072	.072	.080
450-10	M10-1.5	M16-2.0	.669	.406	.103	.085	.095
450-12	M12-1.75	M16-2.0	.669	.485	.132	.110	.115
450-16	M16-2.0	M24-3.0	.787	.656	.132	.125	.130
450-20	M20-2.5	M36-4.0	1.18	.807	.132	.132	.140

HEAVY WALL - STAINLESS STEEL THREAD INSERTS FOR METAL - METRIC

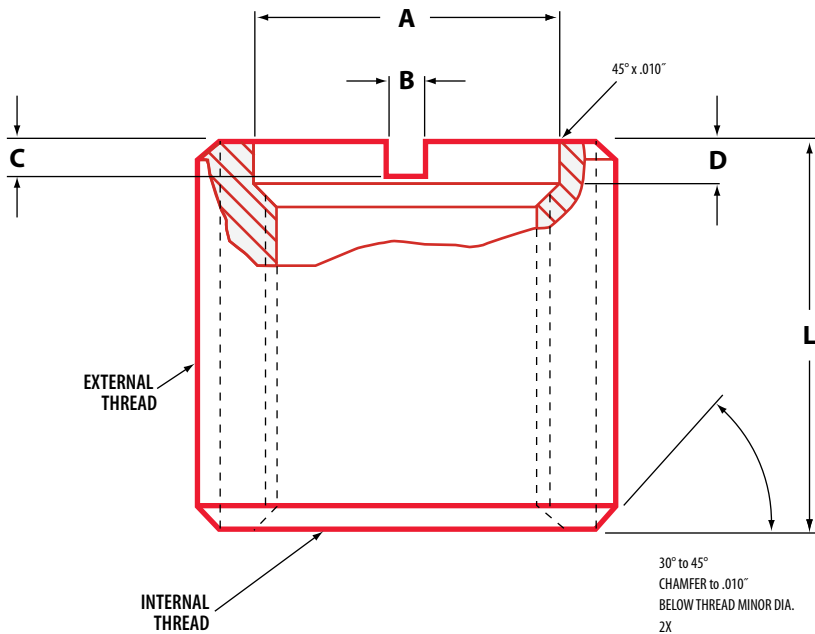
Part Number	Internal Thread 6H	External Thread 6G	L	A	B	C	D
			(in.)	(in.)	(in.)	(in.)	(in.)
453-3	M3-0.5	M6-1.0	.256	.128	.045	.062	.075
453-4	M4-0.7	M8-1.25	.295	.170	.065	.065	.075
453-5	M5-0.8	M8-1.25	.295	.210	.065	.065	.075
453-6	M6-1.0	M10-1.5	.413	.250	.072	.072	.080
453-8	M8-1.25	M12-1.75	.492	.328	.072	.072	.080
453-10	M10-1.5	M16-2.0	.669	.406	.103	.085	.095
453-12	M12-1.75	M16-2.0	.669	.485	.132	.110	.115
453-16	M16-2.0	M24-3.0	.787	.656	.132	.125	.130

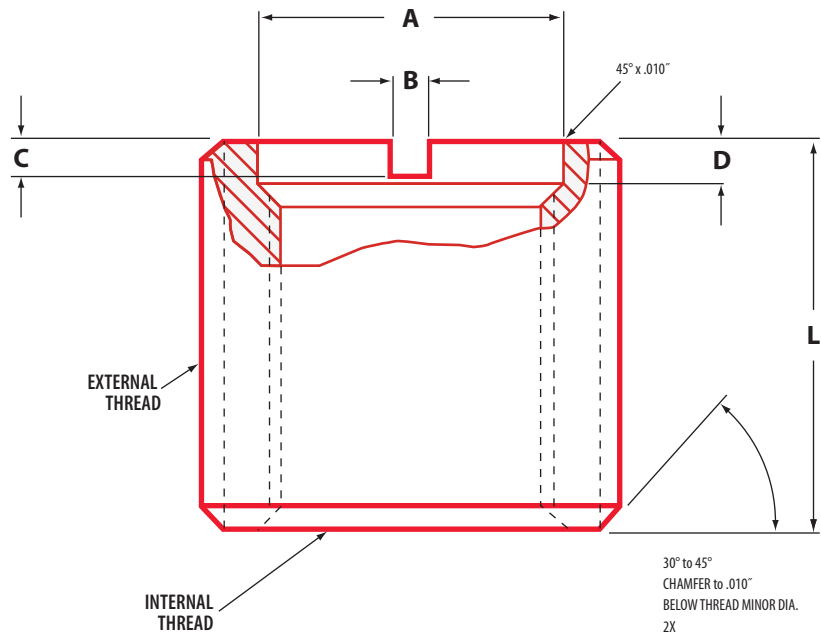
650 SERIES HEAVY WALL - CARBON STEEL THREAD INSERTS FOR METAL - METRIC/UNC

Part Number	Internal Thread 2B	External Thread 2A	L	A	B	C	D
			(in.)	(in.)	(in.)	(in.)	(in.)
650-6	M6-1.0	3/8-16	.406	.246	.064	.070	.085
650-8	M8-1.25	1/2-13	.484	.323	.081	.055	.090
650-10	M10-1.5	9/16-12	.515	.403	.091	.085	.095
650-10F	M10-1.25	9/16-12	.515	.403	.091	.085	.095
650-12	M12-1.75	3/4-10	.656	.482	.130	.110	.115
650-14	M14-2.0	7/8-9	.687	.640	.130	.125	.130
650-16	M16-2.0	1-8	.781	.640	.130	.125	.130

653 SERIES HEAVY WALL - STAINLESS STEEL THREAD INSERTS FOR METAL - METRIC/UNC

Part Number	Internal Thread 2B	External Thread 2A	L	A	B	C	D
			(in.)	(in.)	(in.)	(in.)	(in.)
653-6	M6-1.0	3/8-16	.406	.246	.064	.070	.085
653-8	M8-1.25	1/2-13	.484	.323	.081	.080	.090
653-10	M10-1.5	9/16-12	.515	.403	.091	.085	.095
653-10F	M10-1.25	9/16-12	.515	.403	.091	.085	.095
653-12	M12-1.75	3/4-10	.656	.482	.130	.110	.115
653-14	M14-2.0	7/8-9	.687	.640	.130	.125	.130
653-16	M16-2.0	1-8	.781	.640	.130	.125	.130





335 SERIES - EXTRA HEAVY WALL - CARBON STEEL THREAD INSERTS FOR METAL

Part Number	Internal Thread 2B	External Thread 2A	L (in.)	A (in.)	B (in.)	C (in.)	D (in.)
335-4	1/4-20	1/2-13	.484	.261	.072	.075	.085
335-5	5/16-18	9/16-12	.515	.323	.081	.080	.090
335-6	3/8-16	5/8-11	.515	.385	.130	.110	.115
335-8	1/2-13	7/8-9	.687	.640	.130	.125	.130
335-10	5/8-11	1-8	.781	.760	.130	.125	.130



DISTRIBUTORS - INDIA

NOBLE AEROSPACE PRIVATE LIMITED

**Flat No.: #3B-32, 3rd Floor, 3rd Block,
MS Industrial Complex, 488B, 14th Cross Road, 4th Phase,
Peenya Industrial Area, Peenya,
Bangalore – 560058 INDIA**

**Phone : +91-80-28367717, +91-80-28367719
Fax : +91-80-28367718
Mobile : +91-9901522733
+91-99718 22711**

**E-MAIL : business@noblefix.com
WEBSITE : WWW.NOBLEFIX.COM**

MANUFACTURERS :

**E-ZLOK
240 E. Rosecrans Ave, Gardena,
CA 90248**